

NI PXI/PXIe-2543 Specifications

6.6 GHz Dual 4 × 1 Terminated Solid State Multiplexer (Dual SP4T)

このドキュメントには、日本語ページも含まれています。

This document lists specifications for the NI PXI/PXIe-2543 (NI 2543) multiplexer module. All specifications are subject to change without notice. Visit ni.com/manuals for the most current specifications.

Topology Dual 4 × 1 multiplexers

Refer to the *NI Switches Help* for detailed topology information.



Caution To ensure the specified EMC performance, operate this product only with shielded cables and accessories.



Caution Device relays might change state momentarily during electrostatic discharge.



Caution Refer to the *Read Me First: Safety and Electromagnetic Compatibility* document at ni.com/manuals for important safety and compliance information.

About These Specifications

Specifications characterize the warranted performance of the instrument under the following operating conditions:

- Chassis is powered on
- Calibration adjustment cycle maintained
- 50 Ω termination connected to unused I/O front panel connectors

Typical Specifications are specifications met by the majority of the instruments under the stated operating conditions. Typical specifications are not warranted.

Nominal values (or supplemental information) describe additional information about the product that may be useful, including expected performance that is not covered under *Typical Specifications*. Nominal values are not covered by warranty.

Input Characteristics

All input characteristics are DC, AC_{rms}, or a combination unless otherwise specified.

Minimum input frequency 10 MHz

Characteristic impedance (Z_0) 50 Ω nominal

Coupling AC

Maximum safe DC input voltage ±8V

Maximum Safe Continuous RF Power

Chassis power ON +30 dBm

Chassis power OFF +20 dBm



Note National Instruments recommends against switching active RF signals. As a relay actuates, the channel is momentarily unterminated. Some RF sources can be damaged by reflections if their outputs are not properly terminated. Refer to your RF source documentation for more information.

RF Performance Characteristics

Values in parentheses are typical.

Insertion loss

≤2.4 GHz.....	<4.1 dB (<3.4 dB)
≤6 GHz.....	<5.8 dB (<5.1 dB)
≤6.6 GHz.....	<7.0 dB (<6.1 dB)

Insertion loss thermal coefficient $\alpha = 2050 \text{ ppm}/^\circ\text{C}$

Use the following equation to calculate the insertion loss at a given temperature:

$$IL_T = IL_{T_0} (1 + \alpha(T - T_0))$$

where IL represents insertion loss in dB

T represents the temperature at which the property is being measured in $^\circ\text{C}$

T_0 represents the reference temperature in $^\circ\text{C}$

α represents insertion loss temperature coefficient in $\text{ppm}/^\circ\text{C}$

Voltage standing wave ratio (VSWR)

$\leq 2.4 \text{ GHz}$ < 1.7 (< 1.5)

$\leq 6 \text{ GHz}$ < 1.8 (< 1.5)

$\leq 6.6 \text{ GHz}$ < 2.4 (< 1.6)

CH-COM Isolation

$\leq 2.4 \text{ GHz}$ $> 70 \text{ dB}$ ($> 84 \text{ dB}$)

$\leq 6 \text{ GHz}$ $> 61 \text{ dB}$ ($> 74 \text{ dB}$)

$\leq 6.6 \text{ GHz}$ $> 59 \text{ dB}$ ($> 72 \text{ dB}$)

CH-CH Isolation

$\leq 2.4 \text{ GHz}$ $> 69 \text{ dB}$ ($> 90 \text{ dB}$)

$\leq 6 \text{ GHz}$ $> 58 \text{ dB}$ ($> 74 \text{ dB}$)

$\leq 6.6 \text{ GHz}$ $> 53 \text{ dB}$ ($> 71 \text{ dB}$)

Typical bank-to-bank crosstalk $< -90 \text{ dB}$

Typical channel-to-channel skew $< 10 \text{ ps}$

Typical propagation delay 1720 ps

Input 1 dB Compression

Minimum $> 27.6 \text{ dBm}$

Typical $> 32.0 \text{ dBm}$

Refer to Figures 1, 2, and 3 for typical insertion loss, typical VSWR, and typical isolation, respectively.

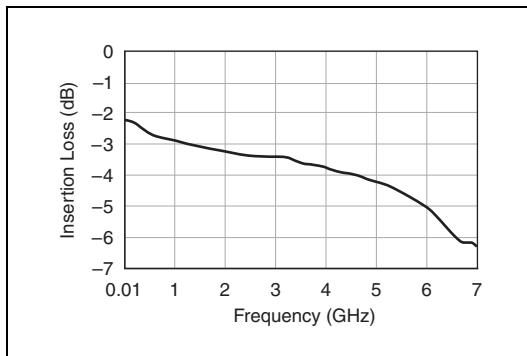


Figure 1. Typical Insertion Loss

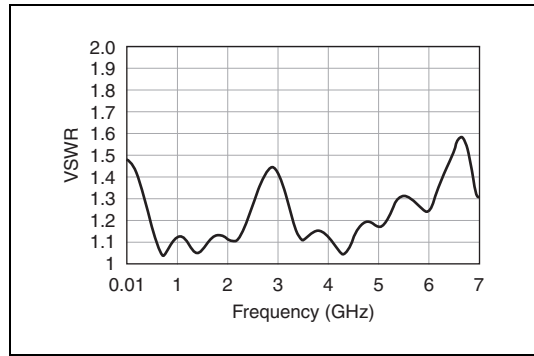


Figure 2. Typical VSWR

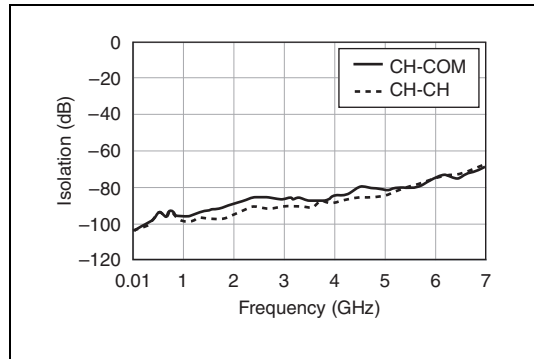


Figure 3. Typical Isolation

Linearity

Second-order harmonic distortion (Input IP2 (IIP2))

Typical IP2 (input) $> +89 \text{ dBm}$



Note Measurements are performed with single CW tones, ranging from -26 dBm to $+10 \text{ dBm}$ at the RF input. This specification is based on both experimental and calculated data.

Third-order intermodulation distortion (Input IP3 (IIP3))

Typical IP3 (input) $> +54 \text{ dBm}$



Note Measurements performed with two 10 dBm input tones = 1 MHz apart. This specification is based on both experimental and calculated data.

Dynamic Characteristics

Maximum switch operate time 76 μ s



Note Switch operate time is defined as the time from TRIG IN falling to 10% to when the output reaches 90% of final value.



Note Certain applications may require additional time for proper settling. For information about including additional settling time, refer to the *NI Switches Help*.

Trigger Characteristics

Input trigger

Sources PXI trigger lines 0–7,
Front panel

Minimum pulse width 150 ns



Note The NI 2543 can recognize trigger pulse widths less than 150 ns by disabling digital filtering. For information about disabling digital filtering, refer to the *NI Switches Help*.

Front panel input voltage

Minimum –0.5 V

V_L maximum +0.7 V

V_H minimum +2.0 V

Nominal +3.3 V

Maximum +5.5 V

Output trigger

Destinations PXI trigger lines 0–7,
Front panel

Pulse width Programmable
(1 μ s to 62 μ s)

Front panel nominal voltage 3.3 V TTL, 8 mA

Physical Characteristics

Switch type FET

Front panel connectors 10 SMA jacks, female
(I/O)
2 SMB jacks, female
(Triggers)

PXI power requirement

PXI 0.6 W at 5 V,
0.6 W at 3.3 V

PXIe 0.4 W at 12 V,
1 W at 3.3 V

Dimensions (L \times W \times H) 3U, one slot,
PXI/cPCI module
21.6 \times 2.0 \times 13.0 cm
(8.5 \times 0.8 \times 5.1 in.)

Weight 774 g (27.3 oz)

Environment

Operating temperature 0 $^{\circ}$ C to 55 $^{\circ}$ C

Storage temperature –20 $^{\circ}$ C to 70 $^{\circ}$ C

Relative humidity 5% to 85%,
noncondensing

Pollution Degree 2

Maximum altitude 2,000 m

Indoor use only.

Shock and Vibration

Operational Shock 30 g peak, half-sine,
11 ms pulse
(Tested in accordance
with IEC 60068-2-27.
Test profile developed in
accordance with
MIL-PRF-28800F.)

Random Vibration

Operating 5 to 500 Hz, 0.3 g_{rms}

Nonoperating 5 to 500 Hz, 2.4 g_{rms}

(Tested in accordance
with IEC 60068-2-64.
Nonoperating test profile
exceeds the requirements
of MIL-PRF-28800F,
Class 3.)

Accessories

Visit ni.com for more information about the following accessories.

Table 1. NI Accessories for the NI 2543

Accessory	Length	Part Number
SMA 100, SMA male to SMA male flexible cable	0.15 m	763443-01
	0.45 m	763444-01
SMA 50 Ohm termination plug	—	778353-01
RF torque screwdriver and SMA driver bit	—	780895-01
RF SMA driver bit only	—	780894-01

Diagrams

Figure 4 shows the NI 2543 power-on state.

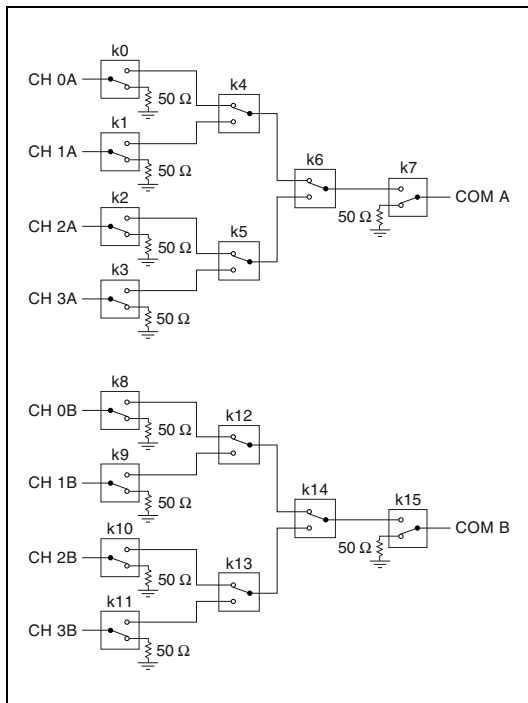


Figure 4. NI 2543 Power-On State

Figure 5 shows the NI 2543 front panel connector.

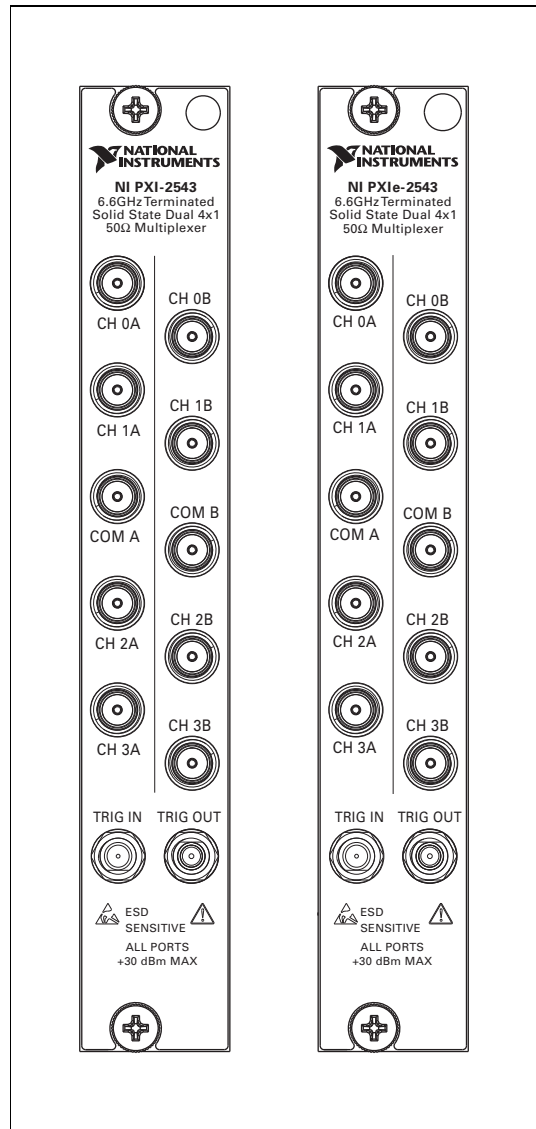


Figure 5. NI 2543 Front Panel Connector

Compliance and Certifications

Safety

This product meets the requirements of the following standards of safety for electrical equipment for measurement, control, and laboratory use:

- IEC 61010-1, EN 61010-1
- UL 61010-1, CSA 61010-1



Note For UL and other safety certifications, refer to the product label or the *Online Product Certification* section.

Electromagnetic Compatibility

This product meets the requirements of the following EMC standards for electrical equipment for measurement, control, and laboratory use:

- EN 61326-1 (IEC 61326-1): Class A emissions; Basic immunity
- EN 55011 (CISPR 11): Group 1, Class A emissions
- AS/NZS CISPR 11: Group 1, Class A emissions
- FCC 47 CFR Part 15B: Class A emissions
- ICES-001: Class A emissions



Note In the United States (per FCC 47 CFR), Class A equipment is intended for use in commercial, light-industrial, and heavy-industrial locations. In Europe, Canada, Australia and New Zealand (per CISPR 11) Class A equipment is intended for use only in heavy-industrial locations.



Note Group 1 equipment (per CISPR 11) is any industrial, scientific, or medical equipment that does not intentionally generates radio frequency energy for the treatment of material or inspection/analysis purposes.



Note For EMC declarations and certifications, refer to the *Online Product Certification* section.

CE Compliance

This product meets the essential requirements of applicable European Directives as follows:

- 2006/95/EC; Low-Voltage Directive (safety)
- 2004/108/EC; Electromagnetic Compatibility Directive (EMC)

Online Product Certification

To obtain product certifications and the Declaration of Conformity (DoC) for this product, visit ni.com/certification, search by model number or product line, and click the appropriate link in the Certification column.

Environmental Management

NI is committed to designing and manufacturing products in an environmentally responsible manner. NI recognizes that eliminating certain hazardous substances from our products is beneficial to the environment and to NI customers.

For additional environmental information, refer to the *NI and the Environment* Web page at ni.com/environment. This page contains the environmental regulations and directives with which NI complies, as well as other environmental information not included in this document.

Waste Electrical and Electronic Equipment (WEEE)



EU Customers At the end of the product life cycle, all products *must* be sent to a WEEE recycling center. For more information about WEEE recycling centers, National Instruments WEEE initiatives, and compliance with WEEE Directive 2002/96/EC on Waste Electrical and Electronic Equipment, visit ni.com/environment/weee.

电子信息产品污染控制管理办法（中国 RoHS）



中国客户 National Instruments 符合中国电子信息产品中限制使用某些有害物质指令 (RoHS)。关于 National Instruments 中国 RoHS 合规性信息, 请登录 ni.com/environment/rohs_china。(For information about China RoHS compliance, go to ni.com/environment/rohs_china.)

LabVIEW, National Instruments, NI, ni.com, the National Instruments corporate logo, and the Eagle logo are trademarks of National Instruments Corporation. Refer to the *Trademark Information* at ni.com/trademarks for other National Instruments trademarks. Other product and company names mentioned herein are trademarks or trade names of their respective companies. For patents covering National Instruments products/technology, refer to the appropriate location: **Help»Patents** in your software, the `patents.txt` file on your media, or the *National Instruments Patent Notice* at ni.com/patents. Refer to the *Export Compliance Information* at ni.com/legal/export-compliance for the National Instruments global trade compliance policy and how to obtain relevant HTS codes, ECCNs, and other import/export data.